

PXle-3911

Thunderbolt 3 PXle remote control module



🔗 Please download JYTEK [<JYPEDIA>](#), you can quickly inquire the product prices, the key features and available accessories..

Overview

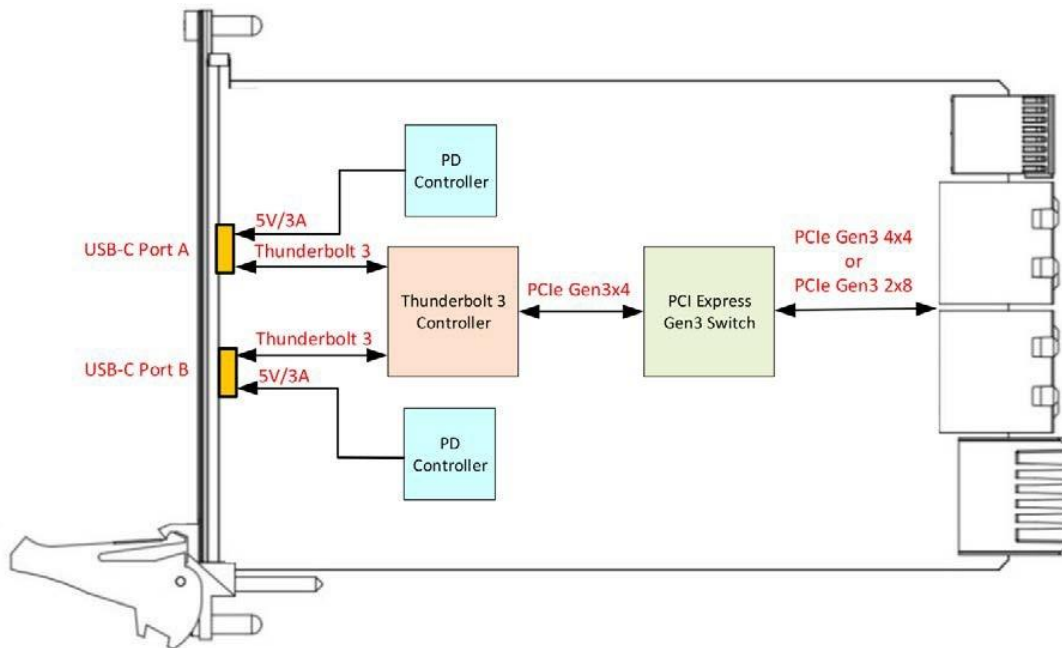
PXle-3911 is a remote control module based on the thunderbolt 3 technology of Intel thunderbolt bus. The module in PXle chassis can be controlled by the thunderbolt interface.

PXle-3911 provides two thunderbolt 3 ports, each of which can provide one-way 40Gbps bandwidth, and supports daisy-chain function. Engineers can use the second thunderbolt port to connect additional thunderbolt devices or USB type-C devices, and support Hot-Plug function.

Main Features

- Thunderbolt 3.0 Technology
- PCI Express Gen3 bus speed
- The maximum system bandwidth is 40 Gbps, of which the PCI Express bus data bandwidth is 22 Gbps
- Daisy-chain function is supported
- Support thunderbolt or USB type-C device Hot-Plug
- Follow PXI-5 PXI Express® hardware specification Rev. 2.0
- PXI Express link performance
 - ◇ 4 Link configuration: X4 X4 X4 X4
 - ◇ 2 Link configuration: X8 x8
- Thunderbolt 3 cable length supports up to 2m
 - ◇ Active cable: 2m
 - ◇ Passive cable: 0.7m

Structure Chart



Note:

1. PXIe-3911 does not support PXI cards in PXIe-62590 and PXIe-62780 chassis, only PXIe cards can be supported, because the two chassis use Pericom PCIe-to-PCI chip and thunderbolt chip have compatibility problems.
2. PXIe-3911 does not support DSA PXI-69527 and PXIe-69529 cards. The main reason is that DSA driver does not support Hot-Plug function.
3. PXIe-3911 has a maximum write speed of 1.81 GB/s and a read speed of 2.69 GB/s.
(Samsung 970 Evo plus SSD + PXIe RAID card for actual measurement)

Specifications

Module Size	1 slot 3U PXIe
Host Interface	Thunderbolt 3
PXIe backplane Interface	4x4 or 2x8 PCIe Gen3
Maximum Data Throughput (single direction)	2.6 GB/s
Front Panel Indicator	Yes
Front panel Connector	Two USB Type-C
Cable Length Support	Active Copper Cable 2 Passive Copper Cable 0.7 m Active Optical Cable 30m (Support Thunderbolt 2 Only)
Daisy-Chain Support for Multichassis	Yes
Power Consumption	8 W (Typical) 30 W (Maximum)
Maximum altitude	2,000 m (800 mbar) (at 25 °C ambient)
Ambient temperature range	Passive cable: 0 to 55 °C Active cable: 10 to 35 °C
Relative humidity range	10 to 90%, noncondensing
Ambient temperature range	-40 °C to 70 °C
Relative humidity range	5 to 95%, noncondensing
Operational shock	30 g peak, half-sine, 11 ms pulse
Operating Random Vibration	5 to 500 Hz, 0.3 g
Nonoperating Random Vibration	5 to 500 Hz, 2.4 g

Order Information

- PXIe-3911 (PN: JY3911002-01)
Thunderbolt 3 PXIe remote control module with 2m Thunderbolt 3 cable
- PXIe-3911 (PN: JY3911001-01)
Thunderbolt 3 PXIe remote control module

Accessories

- ACL-TDB3911-02 (PN: JY3911001-02)
Thunderbolt 3 USB Type-C cable, Active 40 Gbps 2m

Shanghai Jianyi Technology Co., Ltd.

Address: Room 201, Building 3, NO.300 Fangchun Road, Shanghai.

Post Code: 201203

Tel: 021-5047 5899

Website: www.jytek.com



绿测科技有限公司

广州总部：广州市番禺区陈边村金欧大道83号江潮创意园A栋208室

深圳分公司：深圳市龙华区龙华街道 油松社区东环一路1号耀丰通工业园1-2栋2栋607

南宁分公司：广西自由贸易试验区南宁片区五象大道401号五象航洋城1号楼3519号

广州分公司：广州市南沙区凤凰大道89号中国铁建·凤凰广场B栋1201房

电话：020-2204 2442

传真：020-8067 2851

邮箱：Sales@greentest.com.cn

官网：www.greentest.com.cn



微信视频号



绿测科技订阅号



绿测工场服务号