

NC3600 Series

High ENR Noise Source

200 MHz to 45 GHz



High ENR Coaxial Noise Sources

The NC3600 offers a High ENR Output Over a Wide Frequency Range. The NC3600 Series coaxial noise sources are an excellent choice for applications requiring high ENR, such as ATE, radiometer, and radar systems.

An SMA male connector is standard for the RF output and feed thru for bias input. SMA female is an option. Custom frequencies and flatness available. Contact the factory with your request.

Applications

- Radar systems
- High NF device measurements
- Automated test equipment (ATE)

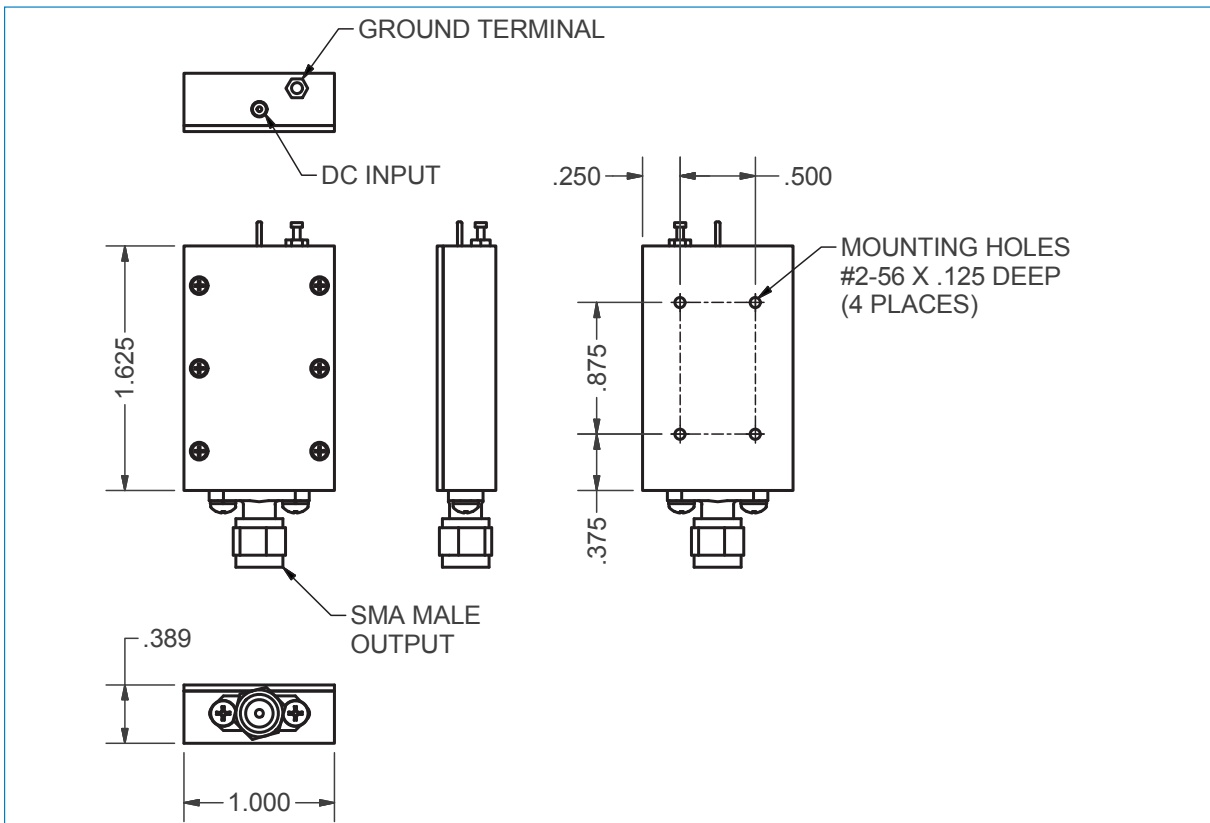
Specifications

Standard input voltage	+15V
Typical current	100 mA
Calibration	Every 1 GHz

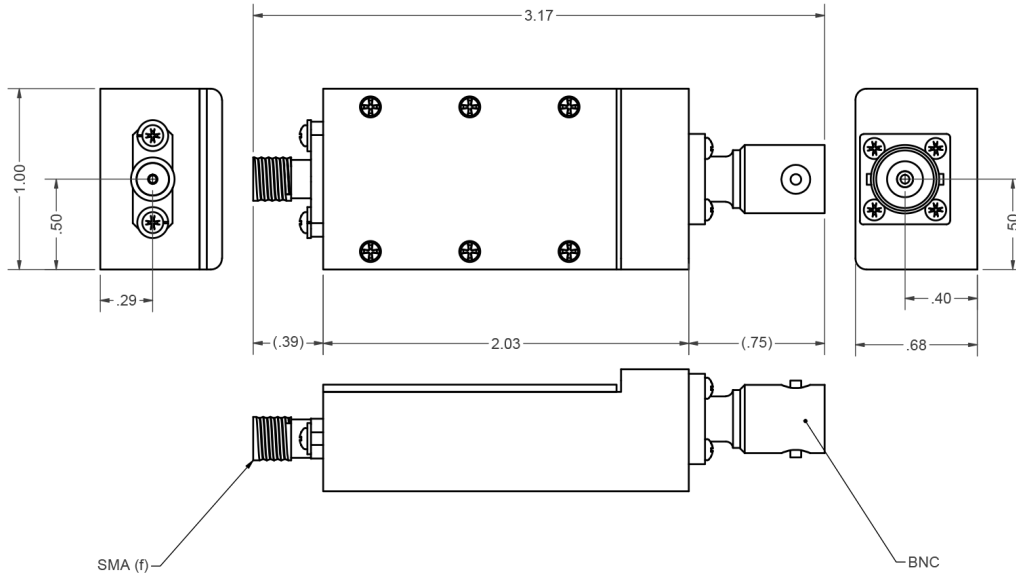
Model	Frequency Range (GHz)	Noise Output ENR (dB)	Flatness (dB)	Connector
NC3608	2 GHz -18 GHz	>40	+/- 1.5	SMA
NC3609	0.2 GHz-18 GHz	>40	+/- 1.5	SMA
NC3610	18-40 GHz	>33	+/- 2.0	2.92 mm
NC3611	2 – 40 GHz	>30	+/- 2.0	2.92 mm
NC3612	20 – 45 GHz	>30	+/- 3.0	2.4 mm

Option Number	Description
NC36opt01	Female output connector
NC36opt02	+28VDC Input Voltage
NC36opt03	BNC DC-Bias Connector

NC3600 Series Dimensions (inches)



NC3600 Series Dimensions (inches) Shown with NC36opt03



绿测科技有限公司

广州总部：广州市番禺区陈边村金欧大道83号江潮创意园A栋208室
 深圳分公司：深圳市龙华区龙华街道 油松社区东环一路1号耀丰通工业园1-2栋2栋607
 南宁分公司：广西自由贸易试验区南宁片区五象大道401号五象航洋城1号楼3519号
 广州分公司：广州市南沙区凤凰大道89号中国铁建·凤凰广场B栋1201房
 电话：020-2204 2442
 传真：020-8067 2851
 邮箱：Sales@greentest.com.cn
 官网：www.greentest.com.cn



微信视频号



绿测科技订阅号



绿测工场服务号